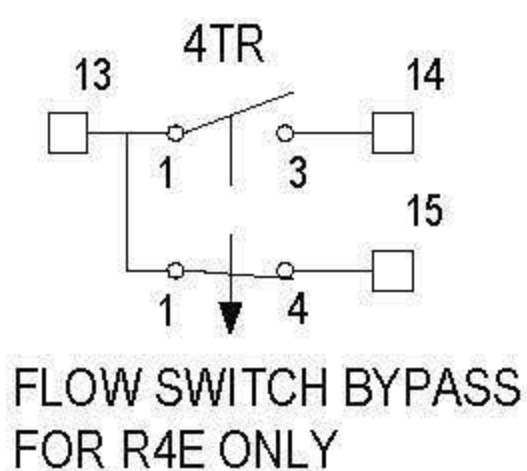
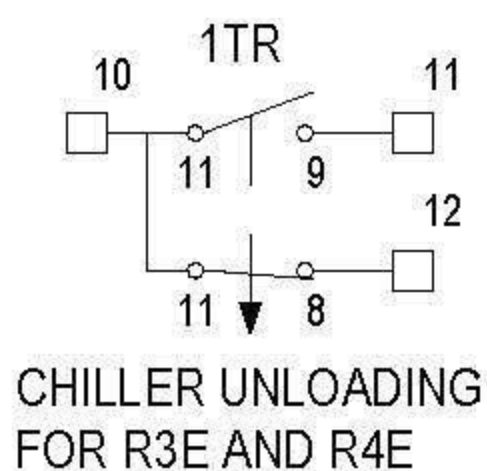


**TERMINAL BLOCKS**

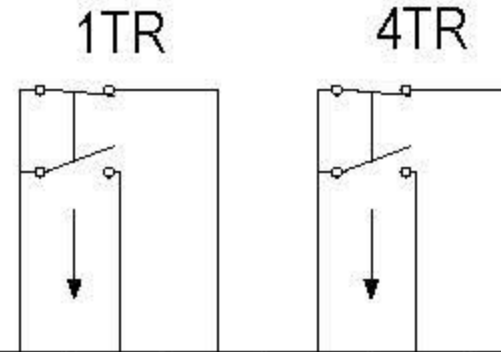


**NOTE:** ITEMS SHOWN IN DASHED LINES ARE LOCATED IN AUMA ELECTRIC ACTUATOR.

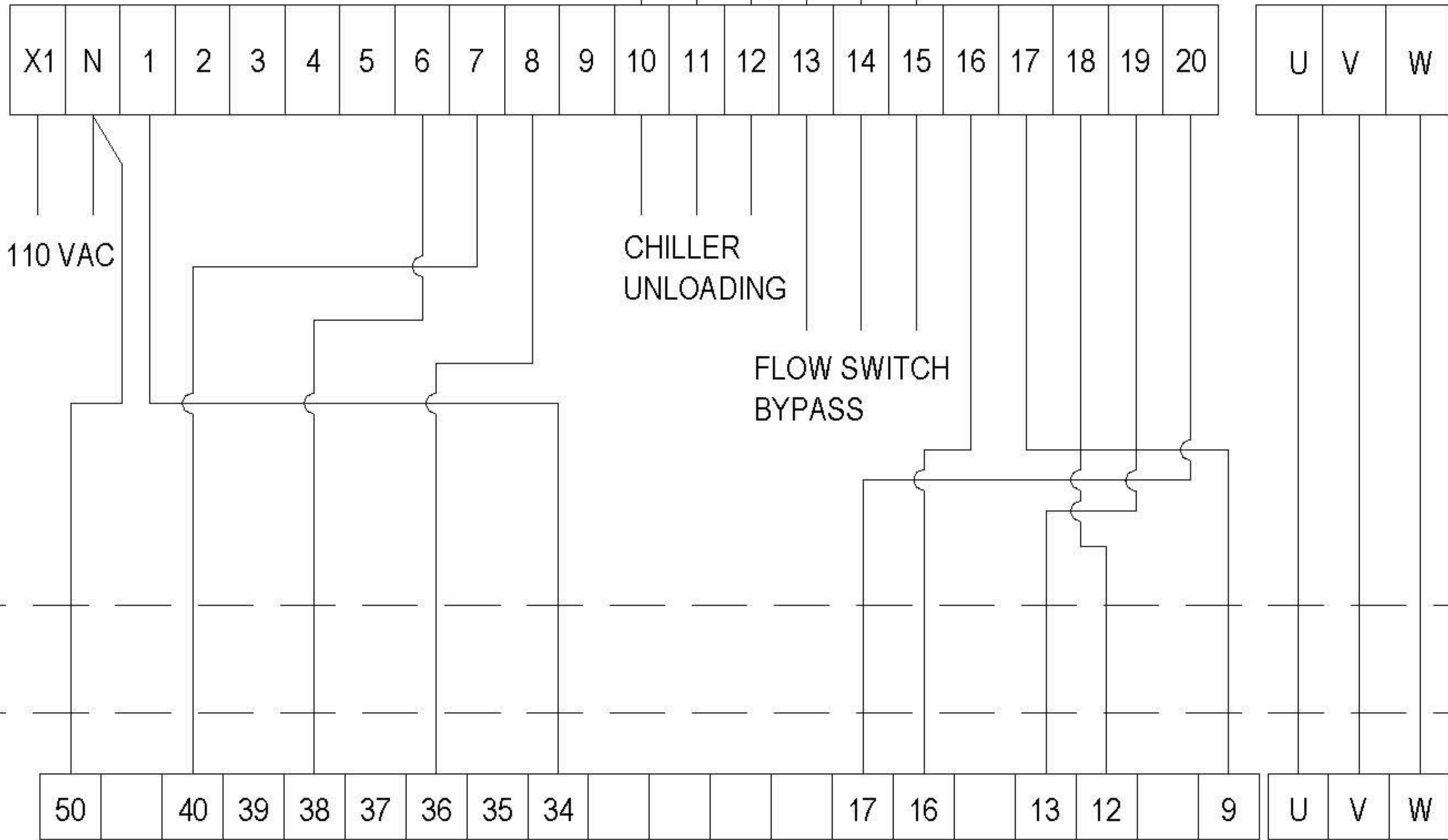
|   |                  |      |
|---|------------------|------|
| WATER TECHNOLOGY OF PENSACOLA, INC.   |                  |      |
| ATB SYSTEM CONTROL PANEL (R-4E-P),<br>CHILLER UNLOADING, FLOW SWITCH BYPASS |                  |      |
| DRAWN:  | APPR:            | REV: |
| CHECKED:  | DATE: 03-04-2019 |      |

# ATB CONTROL PANEL

INPUT  
460 VAC  
3 PHASE, 60 HZ



OUTPUT  
460 VAC  
3 PHASE, 60 HZ



# AUMA ELECTRIC ACTUATOR

NOTE: AUMA factory wiring in AUMA cap sometimes comes from AUMA with a Jumper installed between terminals 17 and 49, but it should be installed between terminals 18 and 50 (with another Jumper installed between 34 and 49).  
ATB installs Jumpers between terminals 34 and 49; 34 and 35; and 37 and 39.

|  |                  |      |
|--|------------------|------|
| <b>WATER TECHNOLOGY OF PENSACOLA, INC.</b>                                       |                  |      |
| <b>CONNECTIONS BETWEEN ATB CONTROL PANEL (R-4E-P) AND AUMA ELECTRIC ACTUATOR</b> |                  |      |
| DRAWN:   | APPR:            | REV: |
| CHECKED:   | DATE: 03-04-2019 | —    |